

TORSION AXLE ORDER FORM



Name: _____

Company Name: _____

Phone Number: _____

P.O. Number: _____

Date: _____

Sales Rep: _____

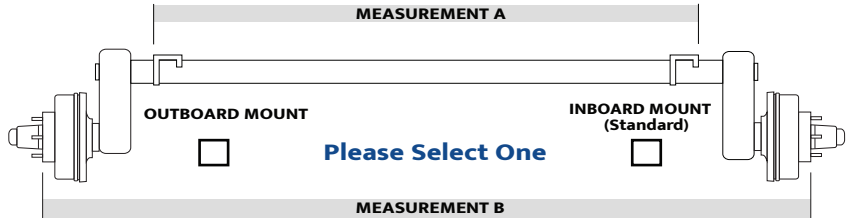
(For use by Trailer Parts Wholesale)

Axle Capacity: 2k 3.5k 5.2k 7k 8k or larger (please call)

Measurements:

Measurement A (Outside Brackets): _____

Measurement B (Hub Face): _____



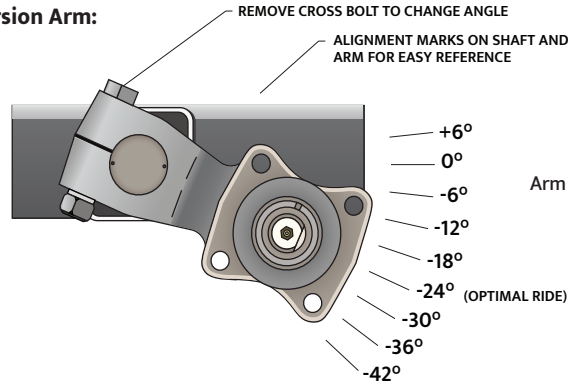
Torsion Axle Mounting:

Torsion axles come with all new brackets to mount them. It is recommended that the new brackets be used, in order to avoid failure of the old brackets. The brackets included will allow for both top mount and side mount, as well as bolted and welded applications.

Axle End Options:

- Bare Beam
- Idler Hub
- Hub/Brakes
 - Electric Brakes
 - Hydraulic Brakes
 - Hydraulic Disc Brakes
- Axle Painted (additional charge)

Torsion Arm:



Arm Degree: _____
(Specify the desired degree above)

Note: Axle spindles are adjustable in 6° increments. -24° is the recommended setting.

Lug Pattern:

4-Lug



Measured: Center to Center

4"

5-Lug



Measured: Center to Edge

- 4^{1/2}" 5"
- 4^{3/4}" 5^{1/2}"

6-Lug



Measured: Center to Center

5^{1/2}"

8-Lug



Measured: Center to Center

- 6^{1/2}" (1/2" Studs)
- 6^{1/2}" (9/16" Studs)
- 6^{1/2}" (5/8" Studs)

Minimum Distance From Bracket To Hub Face:

Capacity	Per Side	Combined
2k-3.5k	6"	12"
5.2k-7k	7.5"	15"

For example, on a 2k or 3.5k axle with a 92" hub face measurement, the maximum outer distance between the brackets would be 80". For a 5.2k or 7k axle with a 95" hub face measurement, the maximum outer distance between the brackets would be 80".

Notes: _____

Quantity: _____

Customer Signature* (Required): _____

*By signing, I verify that the axle(s) indicated above are correct, and acknowledge that all special order axles are non-refundable and may require a deposit.